

The CX-502 Series is designed to give extremely stable detection performance in a variety of commercial applications. With patented Super Quad Zone Logic, sensitivity is maintained through the entire coverage area, even in high temperature areas or in applications with low temperature contrast. Combined with Double Conductive Shielding and Temperature Compensation, a high level of false alarm protection is guaranteed.

The CX-502AM, with its unique Multi Anti-Masking Technology, is able to detect when it has been masked with either clear or opaque spray or with an object, such as a sticker or sticky tape, even when these are transparent. It can also detect the presence of black paper in front of it from a distance of 30cm. Add to this the unique Self-Check function, which regularly tests to ensure that the unit is functioning correctly, and you have a sensor of exceptional performance and reliability.

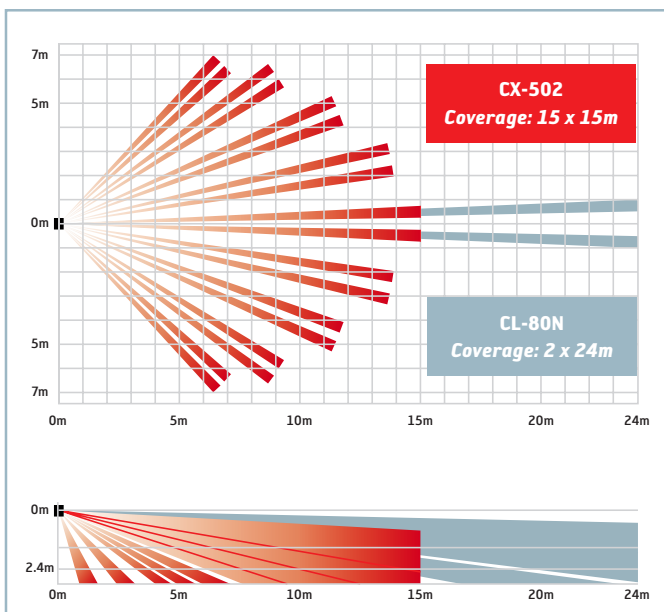
FEATURES

- Patented Quad Zone Logic
- Patented Double Conductive Shielding
- Temperature Compensation
- Self Checking function (CX-502AM)
- Patented Multi Anti-Masking Technology (CX-502AM)
- Anti-magnet, silent Photo-Moss relays
- 100% factory-tested for reliability

OPTIONS

- CX-502 – standard model
- CX-502AM – standard model with anti-masking functions

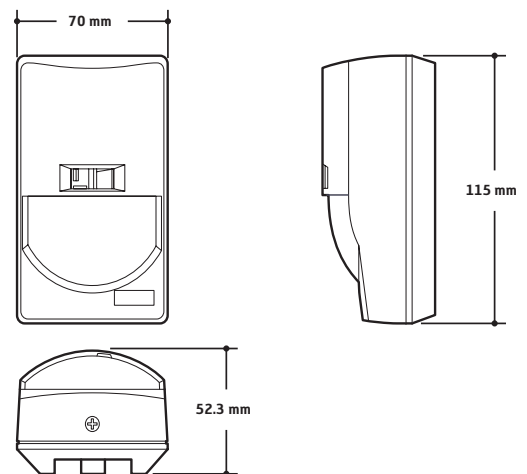
COVERAGE



ACCESSORIES

- EA-1W: Wall mounting bracket
- FA-1W: Multi-angle wall mounting bracket
- FA-2C: Multi-angle ceiling mounting bracket
- FA-3: Wall and ceiling mounting bracket
- CL-80N: Long-range lens (24m x 2.3m)

DIMENSIONS



SPECIFICATIONS



82 Wide



9.0 - 18.0V DC



CX-502 - 5mA (normal)
12mA (max.)
CX-502AM - 7mA (normal)
15mA (max.) at 12V DC



-20°C



+50°C



CX-502 - 120g
CX-502AM - 135g



Pulse Count

Standard mode: Pulse count 2, approx. 20 secs.
Special mode: Pulse count 3, approx. 8 secs.



Alarm Output
N.C.
28V, 0.2A (max.)



Tamper
N.C.